

**CODE NUMBER**

3370096

**DESCRIPTION**

1.0 gpf, Graphite Finish, Fixture Connection Top Spud, Single Flush, Solar, SOLIS® Exposed Sensor Urinal Flushometer.

**DETAILS**

- Flush Volume: 1.0 gpf (3.8 Lpf)
- Finish: Graphite (GR)
- Power Type: Solar (S)
- Valve: Diaphragm
- Valve Body Material: Semi-red Brass
- Fixture Type: Urinal
- Fixture Connection: Top Spud
- Rough-In Dimension: 11 ½" (292mm)
- Spud Coupling: ¾" (19mm)
- Supply Pipe: ¾" (19mm)

**FEATURES**

1. Handle Packing, Main Seat, Stop Seat and Vacuum Breaker Molded from PERMEX® Rubber Compound for Chloramine resistance
2. User friendly three (3) second Flush Delay
3. "Low Battery" Flashing LED
4. Sweat solder adapter with cover tube and cast wall flange with set screw
5. Solar Powered. The sensor assembly is powered by a solar cell that will harvest power from artificial indoor light, either incandescent or fluorescent light, and use it as the energy source. The solar cell can provide approximately 100% power with 650 Illuminance (lux).
6. Four (4) Size AA Battery Back-up Power Source
7. Synthetic rubber seals for chloramine resistance
8. Infrared Sensor with Multiple-focused, Lobular Sensing Fields for high and low target detection
9. Fixed Metering Bypass and No External Volume Adjustment to Ensure Water Conservation
10. Flex Tube Diaphragm designed for improved life and reduced maintenance
11. Engineered Metal Cover with replaceable Lens Window
12. ADA Compliant Sloan Solis® Solar Powered Infrared Sensor for automatic "No Hands" operation
13. ADA Compliant Solis® Solar Powered Infrared Sensor for automatic "No Hands" operation
14. 3/4" IPS screwdriver Bak-Chek® angle stop with vandal resistant stop cap
15. Courtesy Flush® Override Button

**COMPLIANCES & CERTIFICATIONS**

(ADA Compliant, BAA Compliant, cUPC Certified)

**RECOMMENDED SPECIFICATION**

Valve Body, Cover, Tailpiece and Control Stop shall be in conformance with ASTM Alloy Classification for Semi- Red Brass. Valve shall be in compliance with the applicable sections of ASSE 1037 and ANSI/ASME 112.19.2. Valve Body, Cover, Tailpiece and Control Stop shall have a PVD Graphite finish.

**VALVE OPERATING PRESSURE (FLOWING)**

15–80 PSI (103–552 kPa). Specific fixtures may require greater minimum flowing pressure - consult manufacturer requirements.

**DOWNLOADS**

- [Solis 8100 HET Series Installation Instructions](#)
- [Solis 8100 Series \(Spanish\) Installation Instructions](#)
- [Control Stop Repair and Maintenance Guide](#)
- [Flush Connections Flanges Repair and Maintenance Guide](#)
- [Tail Piece Repair and Maintenance Guide](#)
- [Concealed Solis Repair and Maintenance Guide](#)
- [Exposed Solis Repair and Maintenance Guide](#)
- [Flushometer Pressure gauges](#)
- [Additional Downloads](#)

**NOTES**

All information contained within this document subject to change without notice.

Looking for other variations of the SOLIS 8186 product? [View the general spec sheet with all options.](#)

[Find a compatible urinal](#) for this flushometer.

[Find a compatible water closet](#) for this flushometer.

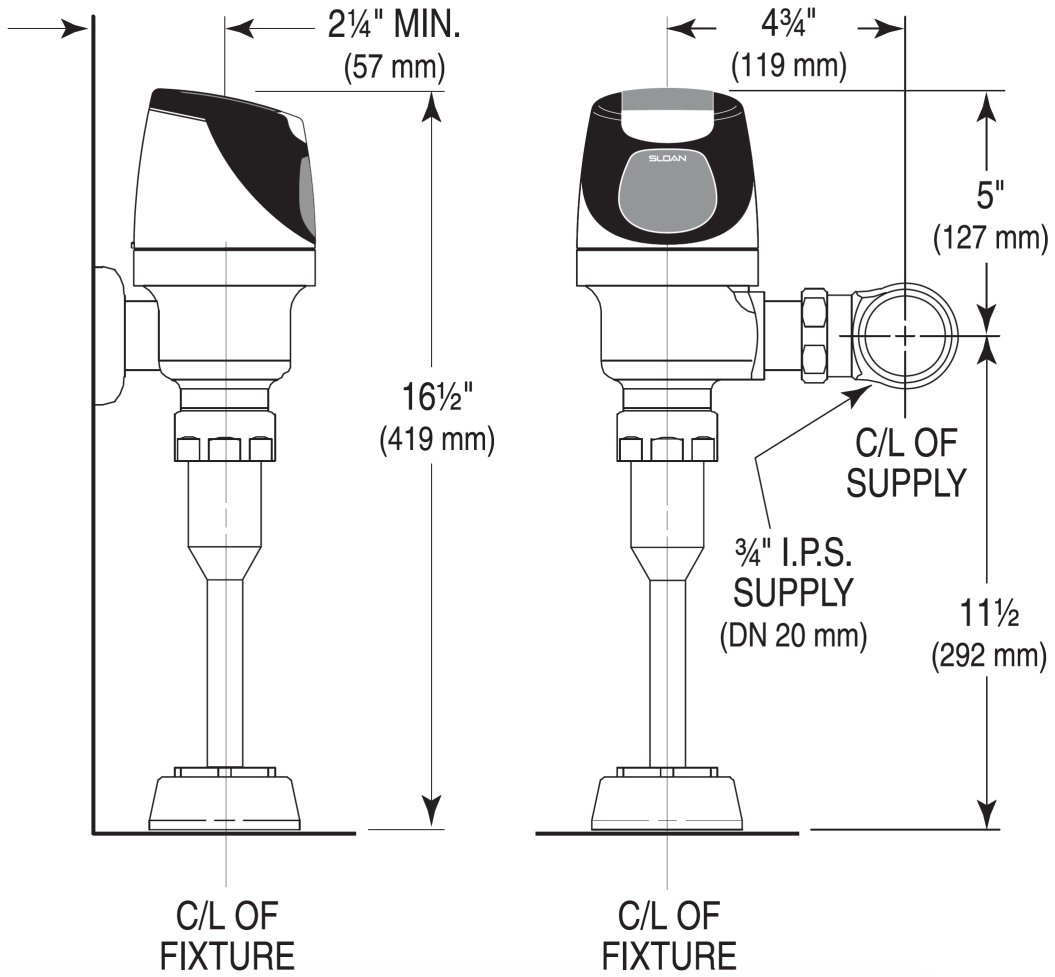
Sloan 10500 Seymour Ave, Franklin Park, IL 60131

Phone: 800.982.5839 • Fax: 800.447.8329 • [sloan.com](http://sloan.com)

**VIDEOS**

 PVD Special Finishes

**ROUGH-IN**



Sloan 10500 Seymour Ave, Franklin Park, IL 60131  
Phone: 800.982.5839 • Fax: 800.447.8329 • [sloan.com](http://sloan.com)